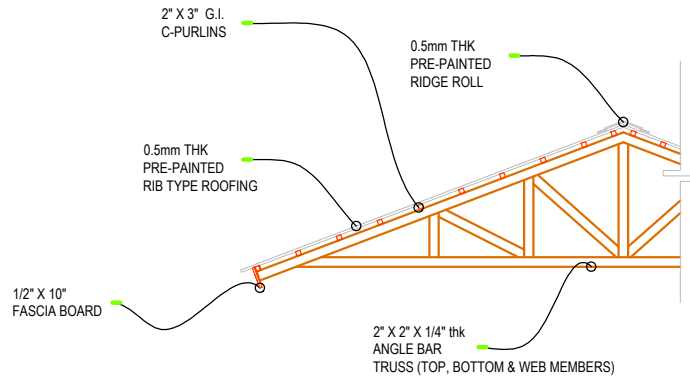
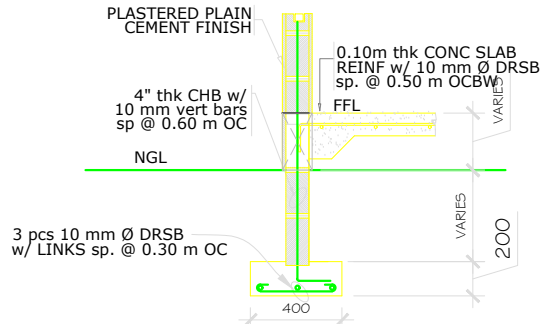


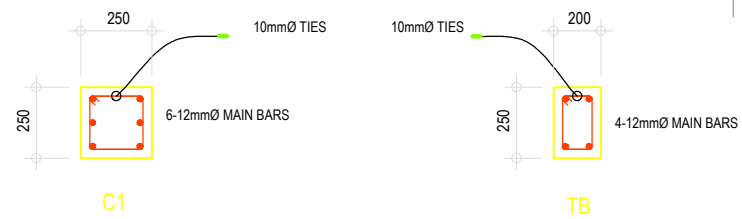
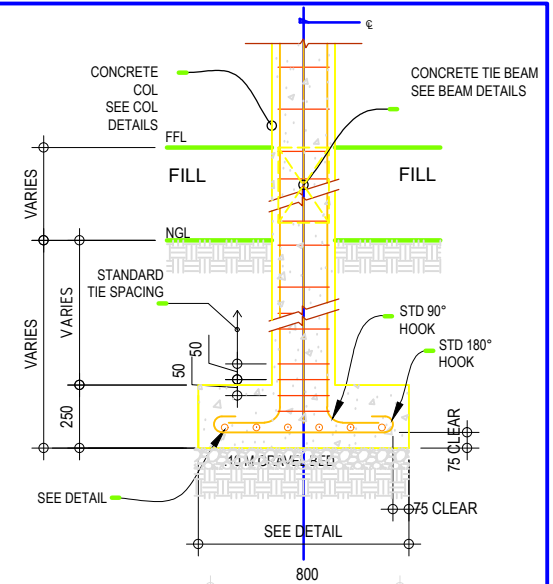
01 FOUNDATION PLAN
SCALE NTS



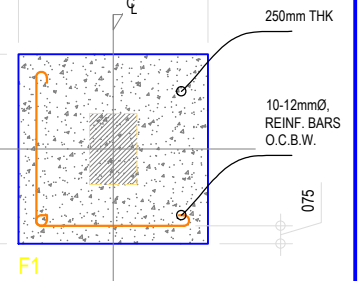
02 ROOF DETAILS
SCALE NTS



03 WALL FOOTING DETAILS
SCALE NTS



04 COLUMN, FOOTING & BEAM DETAILS
SCALE NTS



PHILRICE
PHILIPPINE RICE RESEARCH INSTITUTE
NATIONAL RICE RESEARCH CENTER
MAGAYAN, SCIENCE CITY OF MANILA, SEVAVA ECLAM

PROJECT: IMPROVEMENT OF HOSTEL BUILDING
PhilRice Isabela Station
Brgy. Malasin, San Mateo, Isabela

DESIGNED BY: PHYSICAL PLANT SYSTEMS INFRASTRUCTURE UNIT
PHILRICE-CES
SCIENCE CITY OF MANILA, SEVAVA ECLAM

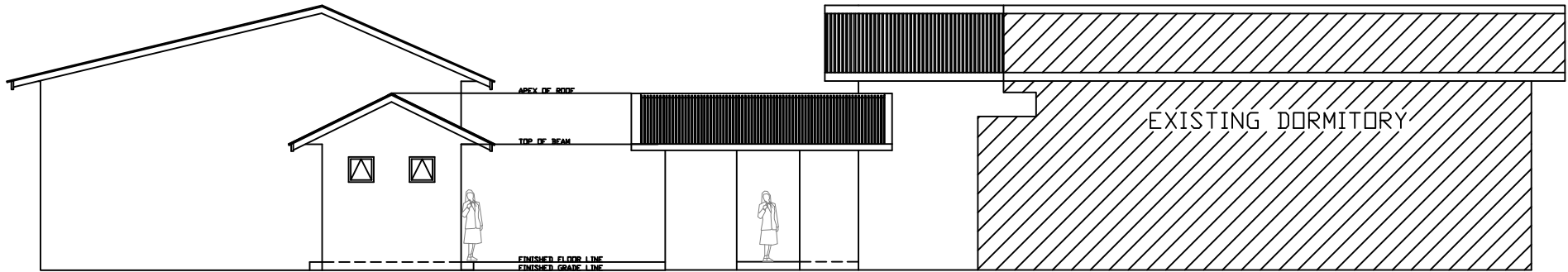
ENGR. GINA B. MARCA
DCC, PPD HEAD
PHILRICE-IES
SHERVIN D. YANGLANAN
ENGINEER II
PHILRICE-IES

JOY BARTOLOME A. BULDULAD
BRANCH DIRECTOR
PHILRICE-IES

SOPHIA T. BORJA
DCC, IED FOR ASF
PHILRICE-CES

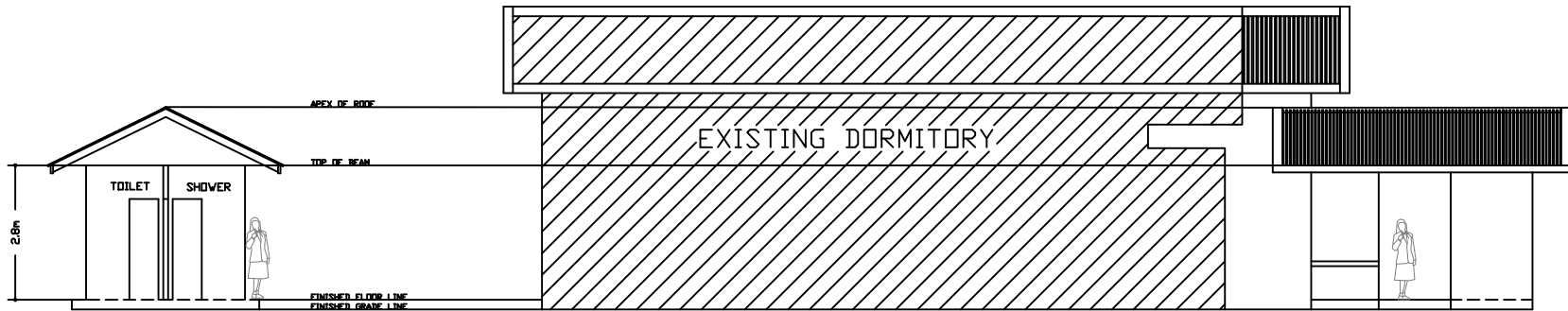
DR. JOHN C. DE LEON
EXECUTIVE DIRECTOR
PHILRICE

DESIGN BY: RRB
DATE: AUGUST 2023
CHECK BY: RBC
DATE: AUGUST 2023
CHECKED BY: RRB



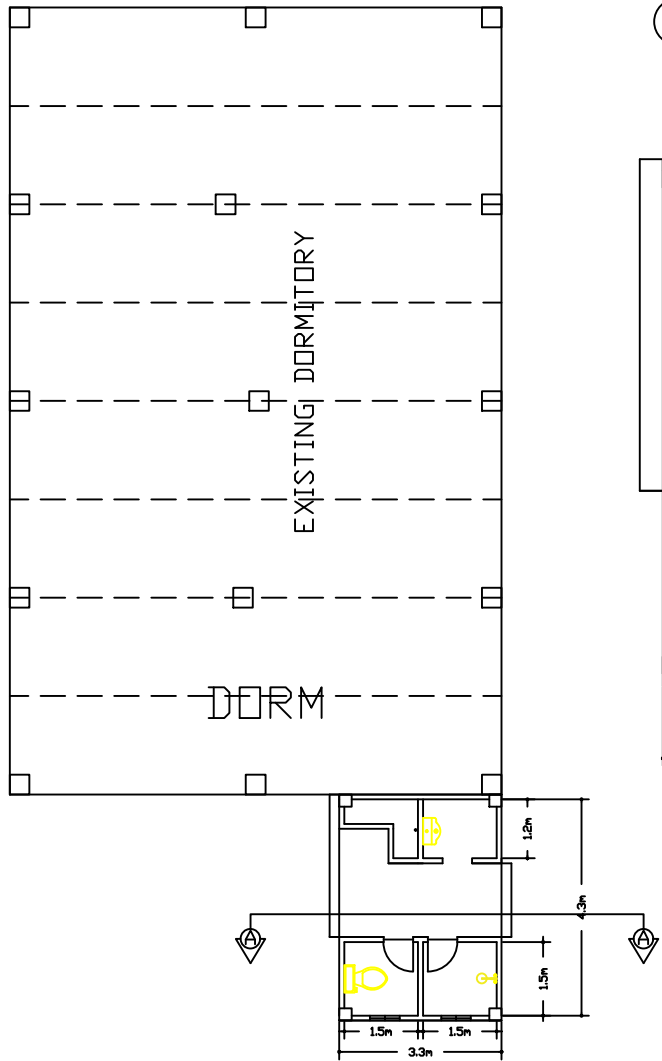
REAR ELEVATION
SCALE NTS

RIGHT ELEVATION
SCALE NTS

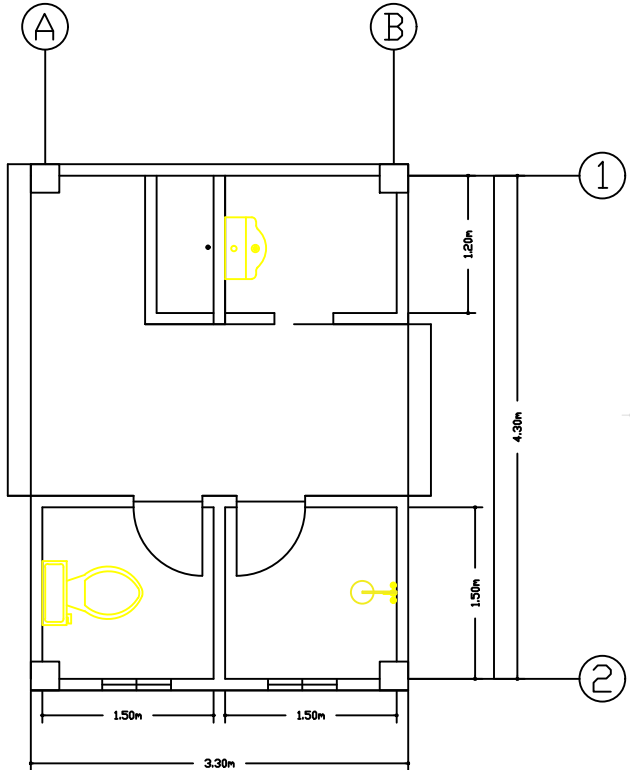


SECTION THRU A-A
SCALE NTS

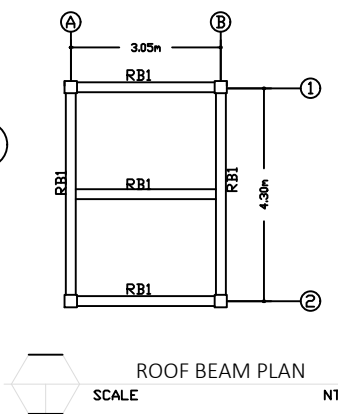
LEFT ELEVATION
SCALE NTS



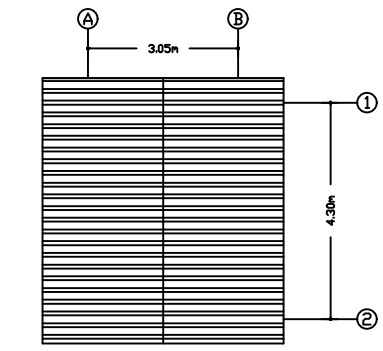
FLOOR PLAN
SCALE NTS



BLOW-UP PLAN
SCALE NTS



ROOF BEAM PLAN
SCALE NTS



ROOF PLAN
SCALE NTS